

## ANN-80 Series Product Installation Document

PN 52749:D1 8/17/10 10-490

The ANN-80 Series Remote Fire Annunciators and Indicators (ANN-80, ANN-80-W, ANN-80C) are compact, backlit LCD displays designed for use with compatible FACP's Fire Alarm Control Panels. The displays mimic the FACP display and are capable of displaying English-language text of system point status including device type, independent point alarm, trouble or supervisory zone and custom alpha labels programmed into the FACP. Refer to the FACP manual installation section for detailed system information and wiring.

**NOTE:** Installation and wiring must be done in accordance with NFPA 72 and local ordinances.

### Specifications

#### ■ TB1 Terminals 1 & 2

Operating Voltage Range: 18 VDC to 28 VDC  
Current Consumption @ 24 VDC nominal (filtered and nonresettable):

- Normal/Standby (no activity): 37.0 mA
- Trouble Condition: 39.0 mA
- Alarm: 40.0 mA
- AC Fail (not backlit): 15.0 mA

#### ■ TB1 Terminals 3 & 4

ANN-BUS rated at 5.5 VDC and 60 mA max.

#### ■ Dimensions

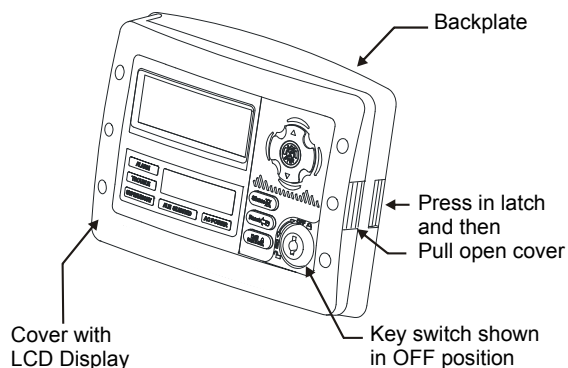
6 7/8" W x 5 3/8" H x 1 3/8" D

### Mounting

The ANN-80 Series plastic enclosures can be surface or semi-flush mounted in a single, double or 4" square electrical box.

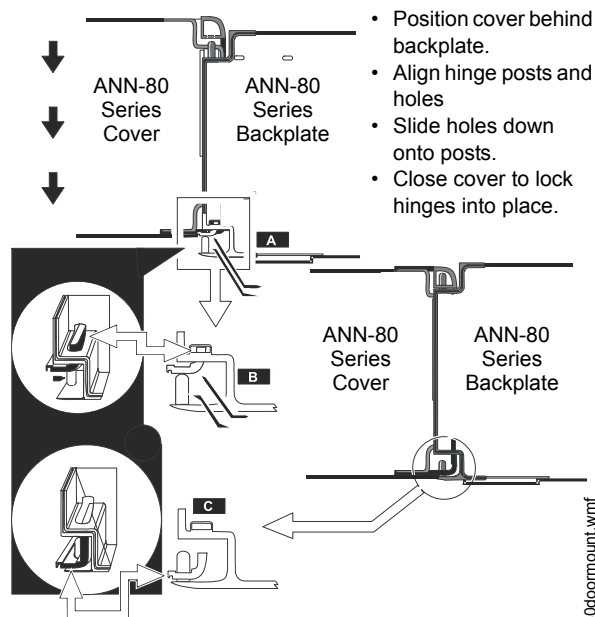
To mount the ANN-80 Series enclosure:

1. Open the ANN-80 Series cover by turning the key switch counterclockwise to the ON (Unlocked) position.
2. Push in the snap latch tab located on the right side while pulling the cover open.
3. Pull wire through 7/8" hole in backplate and feed through wire channel to lower left corner of backplate before routing to terminal block (refer to appropriate FACP manual).



**Figure 1 Opening the ANN-80 Series**

4. The cover must remain attached to the backplate while mounting the annunciator to the electrical box/wall. The cover cannot be reattached or removed after the annunciator has been mounted.
5. If the cover should become detached from the backplate, reattach as shown below.



**Figure 2 Cover Reattachment**

6. Surface or Semi-flush mount the ANN-80 to a single, double or 4" square electrical box. The ANN-SB80KIT(-R/-B/-W) is an available kit that contains two plastic backboxes that can be used to surface mount the ANN-80 Series.

ann-80\_is02.wmf

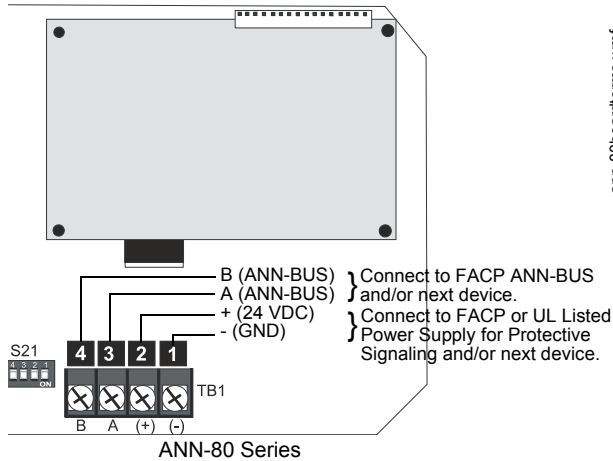
ann80doormount.wmf

## Wiring the ANN-80 Series to the FACP

Refer to Table 1 and Figure 3 for wiring connections.

ANN-80 Series Terminals (TB1)	FACP ANN-BUS Terminals
Terminal 1 (-)	(-)
Terminal 2 (+)	(+)
Terminal 3 (A)	A (ANN-BUS)
Terminal 4 (B)	B (ANN-BUS)

**Table 1 ANN-80 Series to FACP Connections**



**Figure 3 Wiring the ANN-80 Series to an FACP**

### Notes:

1. All connections/sources are to be power-limited and supervised.
2. 12 - 18 AWG (0.75 - 3.25 mm<sup>2</sup>) wire for 24 VDC circuit is acceptable.
3. Power wire distance limitation is set by 1.2 volt maximum line drop from source to end of circuit.
4. Maximum distance from FACP to last ANN-BUS device must not exceed 6,000 feet (1,800 m). Refer to Wiring Distance Table in appropriate FACP manual for wire gauge and distance limitations.

## Setting the DIP Switches

Each ANN-BUS device requires a unique address. ANN-80 Series DIP switch S21 is used to set the address. This address will be displayed on the LCD display as the Station ID number.

A maximum of 8 devices can be connected to the FACP ANN-BUS communication circuit. ANN-BUS device addresses do not need to be sequential and can be set to any number between 01 and 08. Note that 00 is not a valid address. The following illustrates the DIP switch settings for each address (ID Number):

