

RELA-ABT Abort Switch



The RELA-ABT Abort Switch is a normally open dry contact device, which is used to stop the release of an agent. A push button is used to close the switch and abort the agent release.

Specifications

Voltage and rated average current

30 Vdc at 2 A, 250 Vdc at 1 A, 600 Vac at 3 A

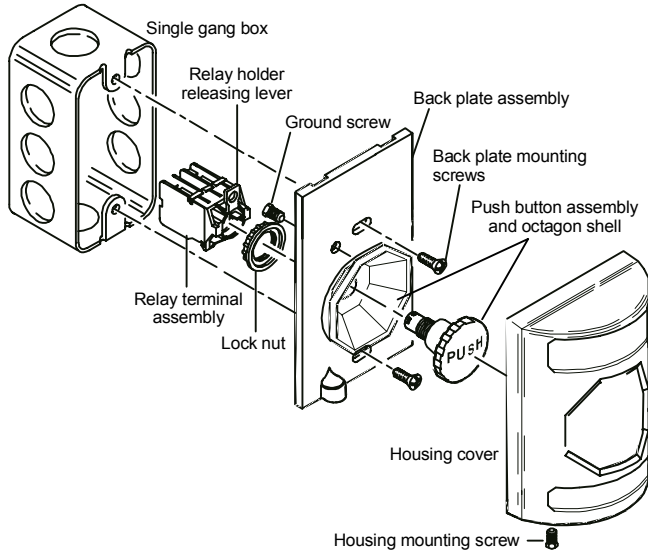
Wire: 12 to 18 AWG

Dimensions: 3.25 x 4.87 x 3.87 in (82 x 124 x 98 mm) (W x H x D)

Installation instructions

To install the RELA-ABT:

1. Install the ground screw in the back of the back plate assembly.
2. Place the push button assembly into the octagon shell so that the threads pass through the back of the shell.
3. Connect the push button assembly and octagon shell to the back plate. Pass the threaded portion of the push button assembly through the back plate and secure it with the lock nut. Make sure the push button is oriented correctly.
4. Push the relay holder onto the back of the lock assembly until it snaps into place. Make sure the releasing lever is pointed up.
5. Wire the relays. See the "Wiring diagram" for details.
6. Mount the back plate assembly to an existing single gang electrical box using the #6-32 screws provided.
7. Connect the housing cover to the back plate assembly using the housing screw provided.



You may need to remove the relay holder or a relay to make wiring easier or you may need to install a different relay. Use the installation instructions that follow to perform these tasks.

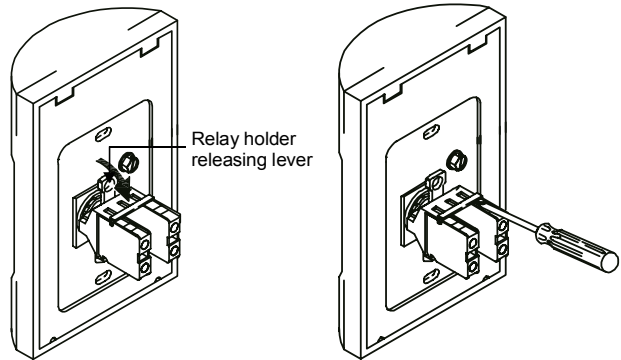
To remove the relay holder:

1. Hold the housing firmly in one hand.
2. Apply downward pressure on the relay holder releasing lever.
3. Remove the relay holder and relays.

To remove a relay:

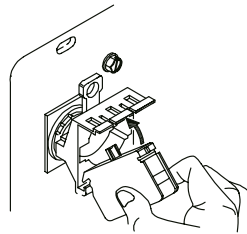
1. Insert a small screwdriver where the relay connects into the relay holder.

2. Pry upward to release the relay from the holder.



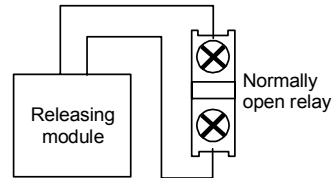
To install a relay:

1. Insert the bottom of the relay in the bottom slot on the relay holder.
2. Push upward to lock the relay in place in the top of the relay holder.



Wiring diagram

A normally open (NO) relay is provided.



Operation

The push button on the RELA-ABT is used to abort (stop) the release of the fire agent within its controlled area.

Push and hold the "PUSH" button to stop the release of the agent. When the push button is released, operation is controlled according to the releasing module's configuration. If you are using the SIGA-REL releasing module, refer to the *SIGA-REL Technical Reference Manual* for specific push button operation.