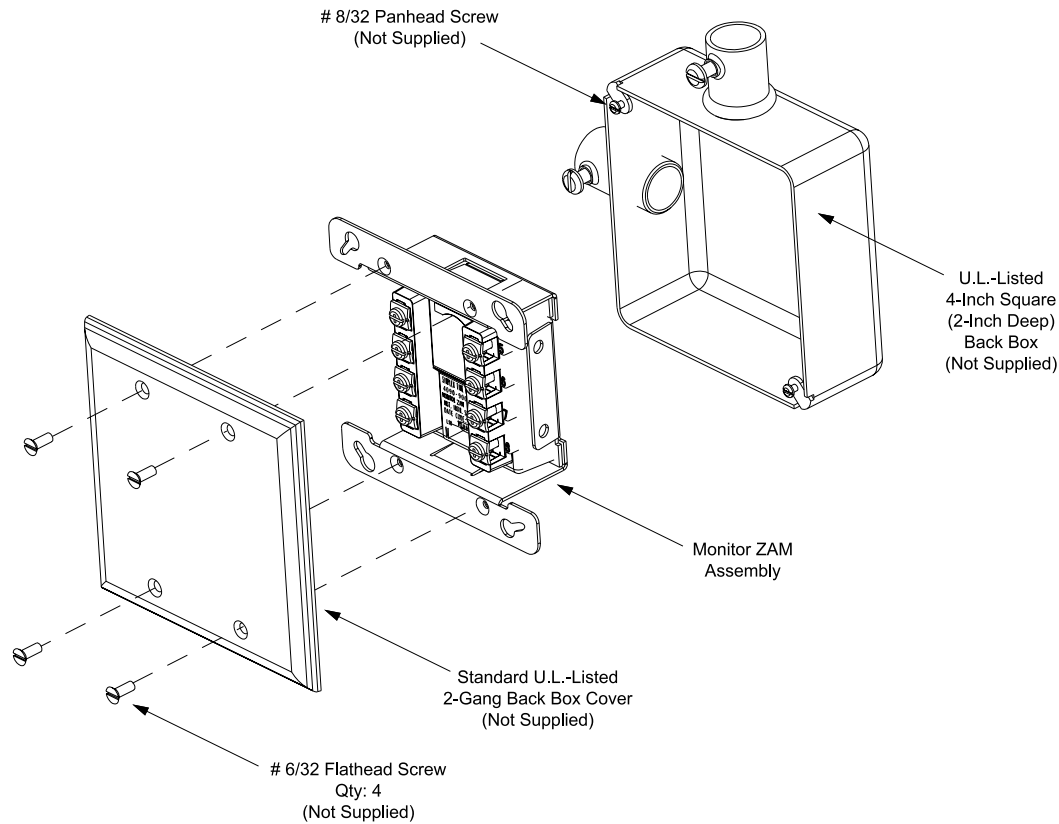


## Mechanically Installing the Monitor ZAM

Install the Monitor ZAM into a grounded 4-inch UL Listed back box (not supplied) using Figure 4 as a reference. Mount the ZAM to the back box as follows:

1. Loosen the two screws on the square back box.
2. Mount the ZAM to the back box using the teardrop holes on the mounting bracket.
3. Secure the ZAM to the back box using the two #8/32 panhead screws.



**Note:** Simplex offers semi-flush and surface covers (ordered separately) with a light pipe. The cover(s) with light pipe allow viewing of the communications LED without taking the cover off. Installation of the 4090-9801 semi-flush cover and 4090-9802 surface cover are detailed in publication *4090 IDNet™ Semi-Flush/Surface Covers and IAM Bracket Installation Instruction (574-796)*.

**Figure 4. Monitor ZAM Back Box Installation**

## Cautions and Warnings

**DO NOT INSTALL ANY SIMPLEX PRODUCT THAT APPEARS DAMAGED.** Upon unpacking your Simplex product, inspect the contents of the carton for shipping damage. If damage is apparent, immediately file a claim with the carrier and notify Simplex.

**ELECTRICAL HAZARD -** Disconnect electrical power when making any internal adjustments or repairs. Servicing should be performed by qualified Simplex Representatives.

**STATIC HAZARD -** Static electricity can damage components. Ground yourself before opening or installing components.

## Introduction

Use the procedure below to install the following

Monitor Zone Adapter Modules (ZAMs):

- Class A Monitor ZAM (4090-9106)
- Class B Monitor ZAM (4090-9101) which supports either 2-wire or 4-wire devices

### IDNet™

Monitor ZAMs are connected to a 4010 Fire Alarm Control Panel (FACP) via the IDNet™ channel. Monitor ZAMs provide four-state status information (NORMAL, OPEN, CURRENT-LIMITED, and SHORT) to the 4010 FACP via the IDNet channel.

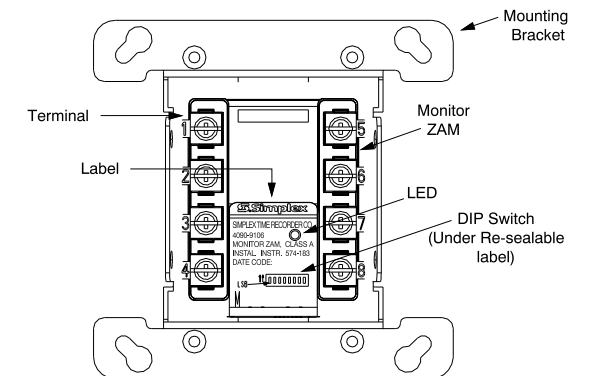
### MAPNET II®

Monitor ZAMs are connected to the 4100/4120/4020 FACP via the MAPNET II channel. Monitor ZAMs provide three-state status information (NORMAL, OPEN, ALARM) to the host FACP via the MAPNET II channel.

## Installation

Monitor ZAM installation consists of the following:

- Setting the Monitor ZAMs address
- Making electrical connections to the Monitor ZAM
- Mechanically installing the Monitor ZAM



**Note:** The LED flashes approximately once every three seconds to indicate valid communications with the FACP.

**Figure 1. Monitor ZAM Installation**

## Setting the Monitor ZAMs Address

**Note:** The IDNet channel (4010 FACP only) supports address codes 1 through 250. The MAPNET II channel (4100, or 4120, or 4020 FACP) supports address codes 1 through 127.

Each Monitor ZAM has a unique address. The address of the ZAM is set via an eight-position DIP switch (Figure 1), DIP switch position 1 is the least significant bit (LSB) and position 8 is the most significant bit (MSB). Set the ZAMs address using Figure 2 as reference. Use a small screwdriver or pen to set the switches. The device address for the Monitor ZAM should be written on the re-sealable label, this information provides an aid in troubleshooting the system.

**Note:** DIP switch in “1” position is “ON” while DIP switch in “0” position is “OFF.”

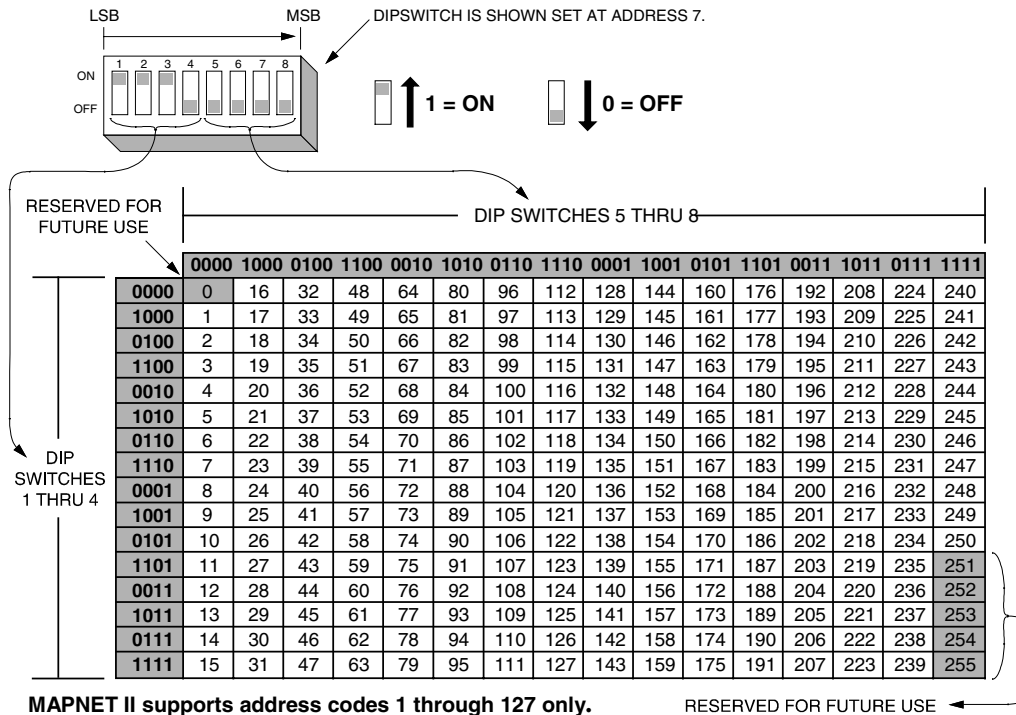


Figure 2. Monitor ZAM Address Chart

### 4010 FACP (IDNet Channel)

Configure the monitor ZAM to the 4010 panel using the *4010 Fire Alarm – PC Programmer Installation and Programming Instructions (574-187)* and *4010 Fire Alarm – Front Panel Installing, Operating, and Programming Instructions (574-052)*. Refer to 4010 panel label 526-444 for appropriate revision of the instructions to be used.

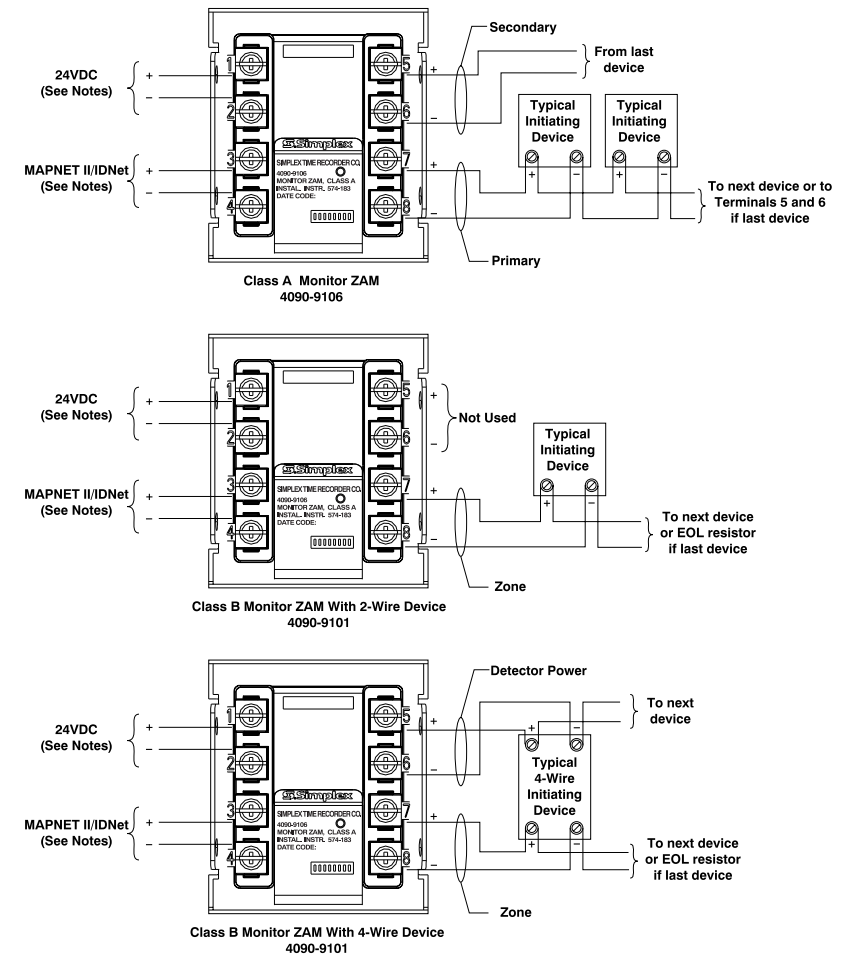
### 4100/4120/4020 FACP (MAPNET II Channel)

Configure the monitor ZAM to the host FACP using the 4100, 4120, or 4020 Programmer’s Report. The monitor ZAMs address and location must match up with the address listed in the specification sheets of the 4100, 4120, or 4020 Programmer’s Report.

## Making Electrical Connections to the Monitor ZAM

Input and output signals connect to the Monitor ZAM via the terminals (1-8) as illustrated in Figure 1. Terminal connections for the ZAM are illustrated in Figure 3.

**CAUTION:** Do not loop wire under terminals. Break wire runs to provide supervision.



### Notes:

1. When connecting two wires to one terminal, position one wire on each side of the terminal screw.
2. IDNet and MAPNET II lines are 18 AWG twisted pair (shield recommended).
3. Maximum allowable run from FACP to farthest device not to exceed 2500 feet.
4. Power must be provided from FACP, 4009, or regulated Power-Limited 24VDC supply that is listed for Fire-Protective signaling use.
5. Refer to Field Wiring Diagram 842-073 for further information on wiring Monitor ZAMs to IDNet. Refer to Field Wiring Diagrams 841-804 or 841-996 for further information on wiring Monitor ZAMs to MAPNET II. IDNet and MAPNET II wiring are supervised and power-limited.

Figure 3. Monitor ZAM Connections