

FX-270 Single Action Pull Station Installation Sheet

Operation

This FX-270 Single Action Pull Station combines a single action pull station with a single input analog addressable mini module mounted on the back of the unit. The pull station requires a single action (i.e., pulling the handle) to initiate an alarm.

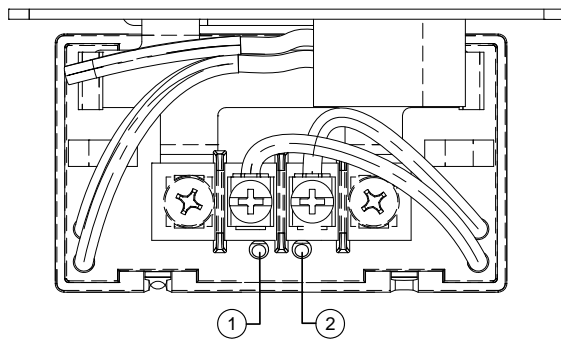
The device address is set using the two rotary switches located on the back of the mini module. One device address is required.

The mini module is configured for alarm latching operation. When the handle is pulled, an alarm signal is sent to the control panel and the alarm condition is latched at the pull station. The pull station must be manually reset prior to resetting the panel.

LEDs

The FX-270 provides two status LEDs. The LEDs are visible from the back of the FX-270.

Figure 1: LED location



1. Red LED: Alarm/active
2. Green LED: Normal

Installation

Install and wire this device in accordance with applicable national and local codes, ordinances, and regulations.

WARNING: This pull station does not operate without electrical power. As fires frequently cause power interruption, discuss further safeguards with the local fire protection specialist.

Note: The pull station is shipped from the factory complete with a single input mini module attached. The module contains no user-serviceable parts and should not be disassembled.

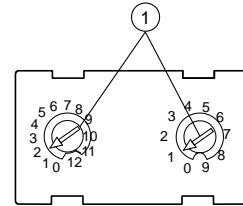
To install the pull station:

1. To meet the Americans with Disabilities Act (ADA), mount the electrical box 48 inches max. from the floor and attach the pull station using screws provided with the electrical box.
2. Set the module address. Refer to the panel technical reference manual for a list of valid addresses.

Use a screwdriver to adjust the two rotary switches on the front of the module. Set the TENS rotary switch (0 through 12) for the 10s and 100s digit and the ONES rotary switch for the 0 through 9 digit. For example: device address 21, set TENS rotary switch to 2 and set the ONES rotary switch to 1 (see Figure 2).

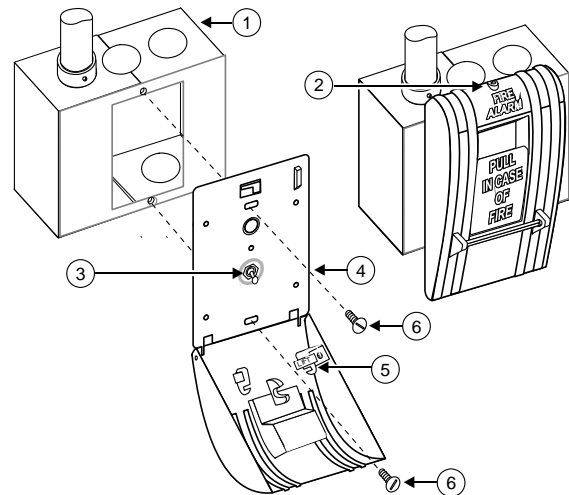
3. Verify that all field wiring is free of opens, shorts, and ground faults before connecting to the module terminals.
4. Make all wiring connections to the terminal block as discussed in "Wiring" and shown in Figure 4.
5. Open the pull station by using a slotted screwdriver to twist the cover release screw counterclockwise while pulling the cover away from its backplate.
6. Mount the pull station in the electrical box.
7. If use of the glass rod is desired, pull the glass rod release lever and install the glass rod through the mounting bracket on the front of the pull station.
8. Set the toggle switch to the NORMAL position and snap the cover into its locked position.

Figure 2: Module address



1. Insert screwdriver here

Figure 3: Pull station installation



1. Compatible electrical box
2. Cover release screw
3. Toggle switch
4. Backplate
5. Glass rod release lever
6. Screw

Wiring

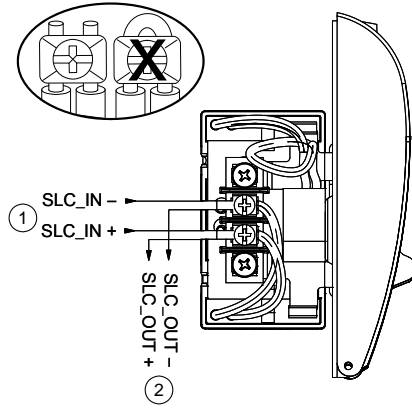
Caution: For system supervision, do not loop the circuit wires around the terminals. Break the wire run at each terminal.

Wire the device as shown in Figure 4. Be sure to observe the polarity of the wires.

For additional wiring information, refer to the documents listed on the control panel label.

All wiring is power-limited and supervised.

Figure 4: Pull station wiring



1. From previous device or control panel
2. To next device or EOL resistor

Specifications

Voltage	
IDC maximum	10 VDC at 350 μ A
Communication line maximum	20.6 V peak-to-peak
Current	
Standby	350 μ A
Activated	500 μ A
Wire size	12 to 18 AWG (0.75 to 2.5 mm ²)
Compatible electrical boxes	North American 2-1/2 in. (64 mm) deep single gang box Standard 4 in. square box 1-1/2 in. (38 mm) deep box with single gang mud ring
Special order surface mount boxes	27193-10 - Cream enamel finish 27193-11 - Red enamel finish
Replacement glass rods	USA, P/N 270-GLR (pkg. 20 rods) CAN, P/N 27165 (pkg. 12 rods)
Operating environment	
Temperature	32 to 120°F (0 to 49°C)
Relative humidity	0 to 93% noncondensing at 90°F (32°C)
Storage temperature range	-4 to 140°F (-20 to 60°C)

Regulatory information

Environmental class	UL: Indoor dry
North American standards	UL 38, CAN/ULC-S528

Contact information

For contact information, see www.kiddelivesafety.com

© 2015 Walter Kidde Portable Equipment, Inc.
All rights reserved.